

More-Lite Series



Model Number		Number of Lamps	Ballast Type	Nominal Length
White	Chrome			
WT9015	T9015	1-15W	TS,LPF	18¼"
WTH9015	TH9015	1-15W	TS,HPF	18¼"
WT9020	T9020	1-20W	TS,LPF	24¼"
WTH9020	TH9020	1-20W	TS,HPF	24¼"
WQ9030	Q9030	1-30W	RS,LPF	36¼"
WQH9030	QH9030	1-30W	RS,HPF	36¼"
WQ9040	Q9040	1-40W	RS,LPF	48¼"
WQH9040	QH9040	1-40W	RS,HPF	48¼"
WT9215	T9215	2-15W	TS,LPF	18¼"
WTH9215	TH9215	2-15W	TS,HPF	18¼"
WT9220	T9220	2-20W	TS,LPF	24¼"
WTH9220	TH9220	2-20W	TS,HPF	24¼"
WQ9230	Q9230	2-30W	RS,HPF	36¼"
WQ9240	Q9240	2-40W	RS,HPF	48¼"

OPTIONS & ACCESSORIES (Accessories rated for use with 120 volt ballast only.)	
Code	Description
9200	Coupler for continuous rows
B1	Emergency battery pack
K	grounded convenience outlet
M	Turn knob switch
R	Pull chain switch
S	Electronic ballast
W	277 volt (for HPF only)

SPECIFICATIONS:

HOUSING: Entire construction rigidly die formed code gauge steel.

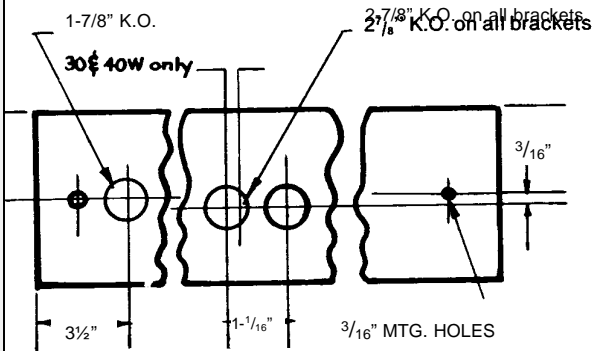
SHIELDING: One piece white acrylic diffuser for soft and even glare-free illumination. Easily installed and removable for re-lamping.

FINISH: All reflecting metal parts are cleaned by a multi-stage process and treated with an iron phosphate coating after fabrication to improve paint adhesion and rust resistance, then electrostatically sprayed with white enamel and baked at 320° F. Minimum, of 88% reflectivity. Exposed metal parts are finished in a lustrous, rust-resistant mirror-like chromium.

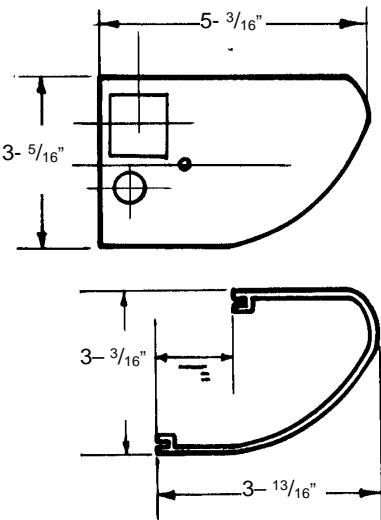
ELECTRICAL: All units wired with ballasts incorporating class P thermal protection, for 120 volt, 60 cycle AC. Ballasts mounted in direct contact with housing for maximum heat dissipation. Sockets completely wired.

INSTALLATION: Units may be surface mounted, individually or in continuous rows.

LABELS: U/L listed combined with I.B.E.W.



DIFFUSER SMOOTH WHITE VIRGIN ACRYLIC



Please note: Specifications subject to change without notice.

