

Strips

Midget High Performance

T5 & T5 High Output

Model Number	Number/Type of Lamps	Length in inches
TSW 114	1-14W T5	22-13/16
TSW 121	1-21W T5	34-11/16
TSW 128	1-28W T5	46-1/2

Model Number	Number/Type of Lamps	Length in inches
TSW124HO	1-24W T5HO	22-13/16
TSW139HO	1-39WT5HO	34-11/16
TSW154HO	1-55WT5HO	46-1/2
TSW154THO	2-55WT5HO	93

Code (Suffix)	Description
M	Turn knob switch
Q	6' cord & plug/white
RW	reflector
W	277 volt

Specifications

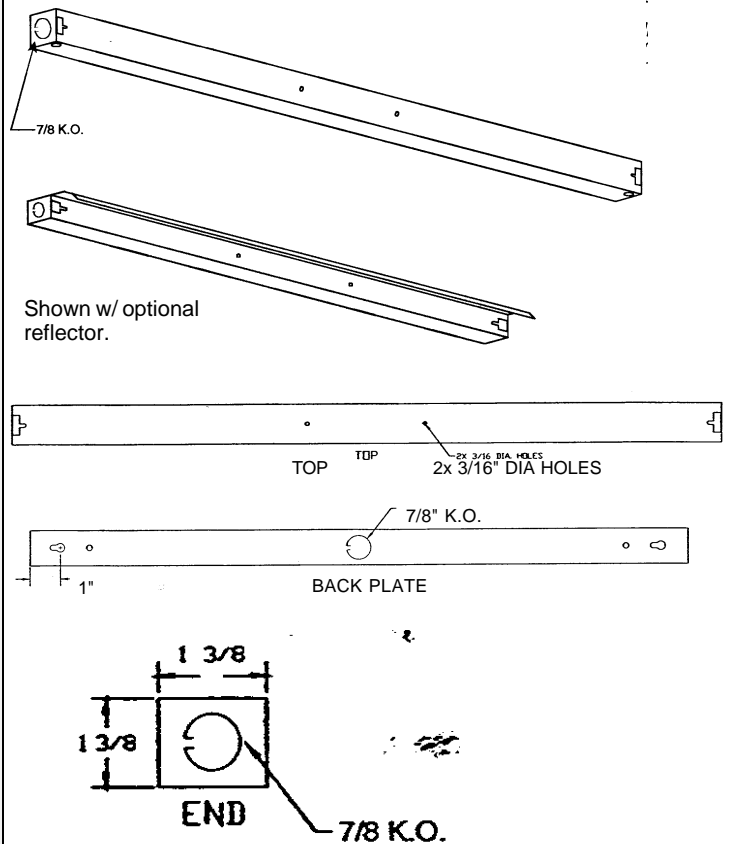
HOUSING: Channel and back plate die formed of code gauge prime steel.

FINISH: All metal parts are cleansed by a multi-stage process and treated with an iron phosphate coating to improve paint adhesion and rust resistance, then electrostatically sprayed with white enamel and baked at 320° F. Chrome finish is luxuriously plated for appearance and endurance.

ELECTRICAL: All units wired with solid-state ballasts for 120 volt, 60 cycle AC. Other voltages available. Sockets completely wired and mounted.

INSTALLATION: Key hole slots provided for surface mounting, individually or in continuous rows.

LABELS: U/L listed and I.B.E.W.



Specifications subject to change without notice

10/03



Duray Fluorescent Manufacturing Company, Inc.

2050 West Balmoral Avenue Chicago, Illinois 60625 Phone 773.271.2800 Fax 773.271.4410 www.durayinc.com