

# Strips

## Midget Series

### T8 & Starter Type/LPF

Model Number	Number of Lamps	Ballast Type	Nom. Length in inches
<b>White</b>			
TSW104	1-4T 5	Starter, LPF	9 1/16
TSW106	1-6T 5	Starter, LPF	12 1/16
TSW108	1-8T 5	Starter, LPF	15 1/16
TSW115	1-15T 8	Starter, LPF	21 1/16
TSW119-24	1-19T 8-24"	Starter, LPF	27 1/16
TSW 119-26	1-19T 8-26"	Starter, LPF	29 1/16
TSW119-28	1-19T 8-28"	Starter, LPF	31 1/16
TSW119-30	1-19T 8-30"	Starter, LPF	33 1/16
TSW215	2-15T 8	Starter, LPF	40 3/4
TSW315	3-15T 8	Starter, LPF	61 1/8

Q- 6' cord & plug/white M- Turn knob switch

Model Number	Number of Lamps	Ballast Type	Length
TSW117	1-17W	SSB/T8	25"
TSW125	1-25W	SSB/T8	37"
TSW132	1-32W	SSB/T8	49"

W- 277 volt (for T8 only)

## Specifications

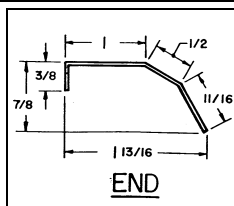
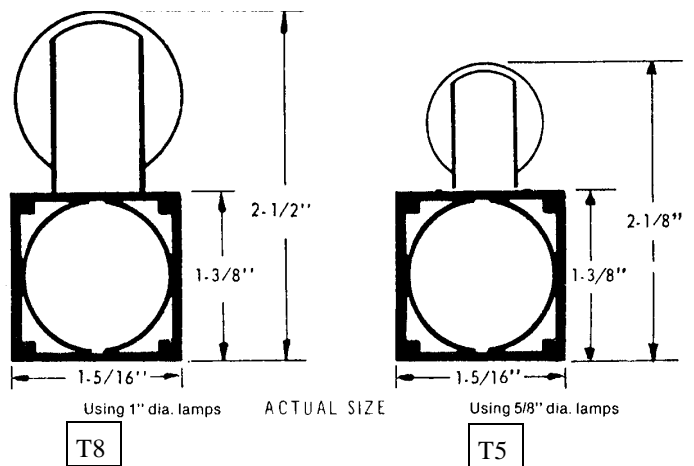
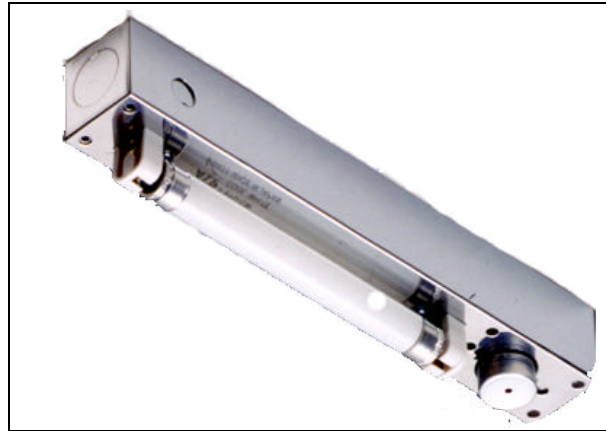
**HOUSING:** Channel and back plate die-formed of heavy gauge prime steel.

**FINISH:** For improved paint adhesion and rust resistance, all metal parts are cleaned by a multi-stage process and treated with an iron phosphate coating. Housing is electrostatically sprayed with glossy white enamel, baked at 320°F. Chrome finish is luxuriously plated for appearance and endurance.

**ELECTRICAL:** Equipped with starter type, UL approved ballast for use with 120 volt, 60 cycle AC. Sockets are completely wired.

**INSTALLATION:** Keyhole slots provided for surface mounting, individually or in continuous rows.

**LABELS:** U/L combined with I.B.E.W.



## Optional RW Reflector

Model Number	Number of Lamps	Nom. Length in Inches	Model Number	Number of Lamps	Nom. Length in Inches
RW104	1-4T5	9-1/16	RW119-26	1-19T8-26"	29-1/16
RW106	1-6T5	12-1/16	RW119-28	1-19T8-28"	31-1/16
RW108	1-8T5	15-1/16	RW119-30	1-19T8-30"	33-1/16
RW115	1-15T8	21-1/16	RW215	2-15T8	40-3/4
RW119-24	1-19T8 24"	27-1/16	RW315	3-15T8	61-1/8

Specifications subject to change without notice.

10/03



Duray Fluorescent Manufacturing Company, Inc.

2050 West Balmoral Avenue Chicago, Illinois 60625 Phone 773.271.2800 Fax 773.271.4410 www.durayinc.com