

# Strips

## NTS Series

T8 & T5

MODEL NO.	No. of Lamps	Ballast Type	Nom. Length
NTS115-T8	1-15W	SSB/T8	18"
NTS117-T8	1-17W	SSB/T8	2'
NTS125-T8	1-25W	SSB/T8	3'
NTS132-T8	1-32W	SSB/T8	4'
NTS114-T5	1-14W	SSB/T5	2'
NTS121-T5	1-21W	SSB/T5	3'
NTS128-T5	1-28W	SSB/T5	4'

### Options & Accessories

Code	Description	Code	Description
M	Turn knob switch	W	277 volt
Q	6' Cord/plug white	R	Pull chain

### Specifications

**Housing** Code gauge steel sheet metal die formed construction.

**Electrical** Electronic ballast incorporating Class "P" thermal protection. 120 volts AC 60 Hz standard. Class "A" sound rating. Ballasts mounted in direct contact with housing for maximum heat dissipation. Sockets completely wired and mounted.

**Installation** Key hole slots provided for surface mounting, individually or in continuous rows.

**Finish** Detergent cleaned with iron phosphate and chromic acid rust inhibitor, chip resistant powder urethane polyester coating, electrostatic applied and baked at 375 degrees F.

**Labels** U/L listed and I.B.E.W.

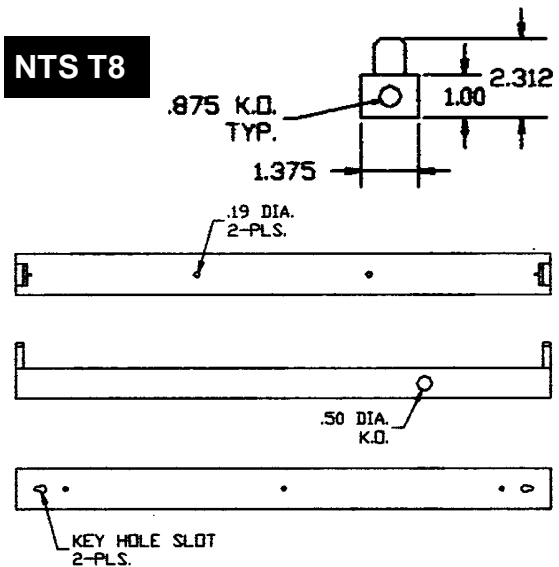
**Other** Accessories rated for 120 volt use.

#### PROPRIETARY NOTE

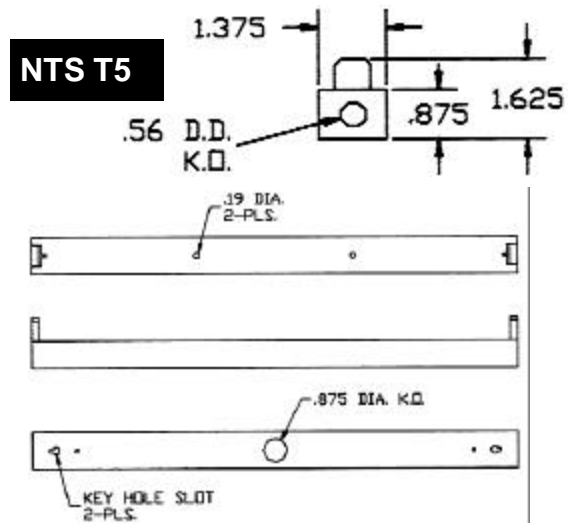
Except for uses expressly granted in writing information disclosed herein is confidential and all rights, patent or otherwise, are reserved by Duray Fluorescent Mfg. Co. Specifications subject to change without notice



### NTS T8



### NTS T5



10/03



Duray Fluorescent Manufacturing Company, Inc.

2050 West Balmoral Avenue Chicago, Illinois 60625 Phone 773.271.2800 Fax 773.271.4410 www.durayinc.com