

## Plexilume

T8/SSB

### SPECIFICATIONS

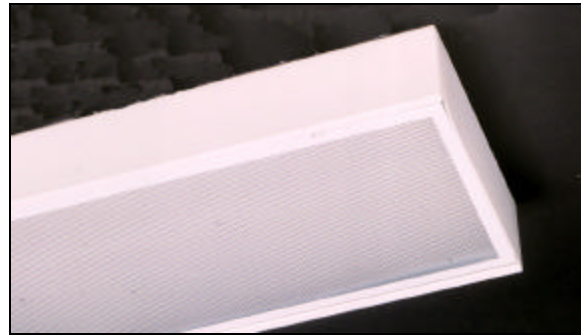
**HOUSING:** Body and hinged door frame are die-formed of code gauge steel construction and designed for maximum strength and uniformity.

**FINISH:** All metal parts are cleansed by a multi-stage process and treated with an iron phosphate coating to improve paint adhesion and rust resistance, then electrostatically sprayed with white enamel and baked at 320°F. Minimum of 90% reflectivity.

**ELECTRICAL:** All units wired with ballasts incorporating class P thermal protection, for 120 volt, 60 cycle AC current. Other voltages available. Ballasts mounted in direct contact with housing for maximum heat dissipation. Sockets completely wired.

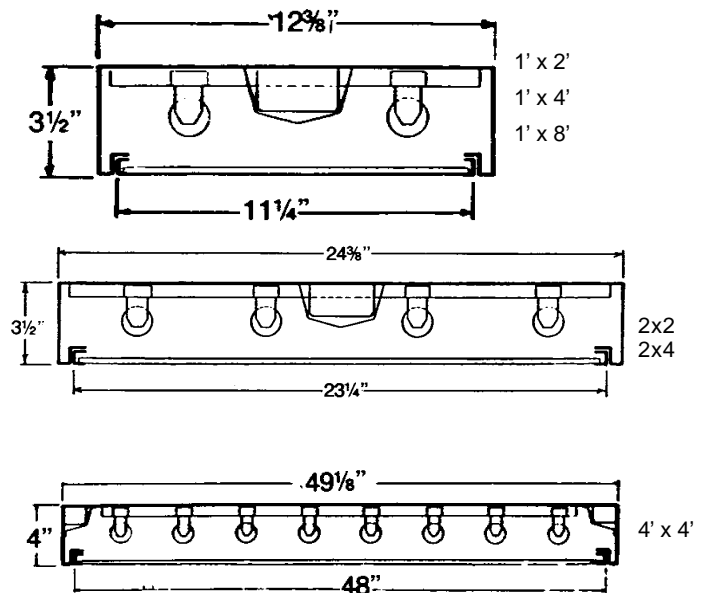
**INSTALLATION:** Units may be surface or pendant mounted, individually or in continuous rows.

**LABELS:** U/L listed and I.B.E.W.



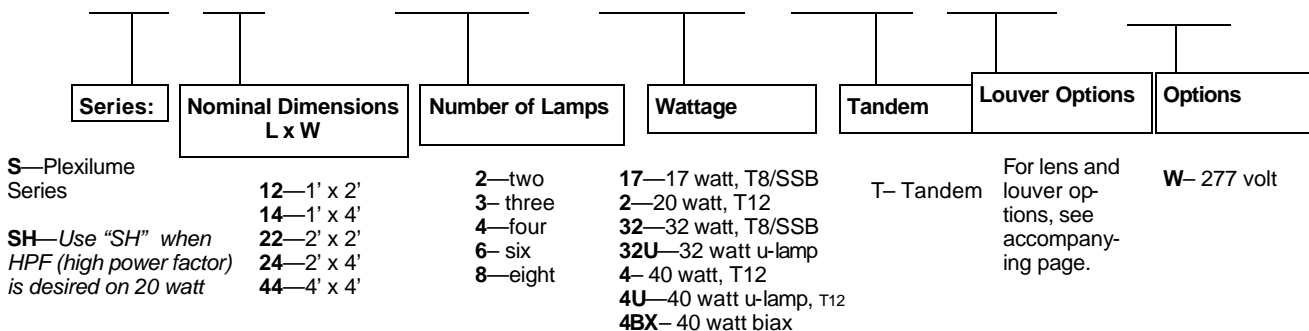
### Product Configurator

	2 light	3 light	4 light	6 light	8 light	Tan-dem
1x2	x	x				
2x2	x	x	X	X		
1x4	x	X	X			X
2x4	x	x	X	X		
4x4				X	X	



Specifications subject to change without notice.

## ORDERING INFORMATION: Example S24432-W



Note: Prefix catalog number with SR when ordering fixture with enhancement reflector.



Duray Fluorescent Manufacturing Company, Inc.

2050 West Balmoral Avenue Chicago, Illinois 60625 Phone 773.271.2800 Fax 773.271.4410 www.durayinc.com