

Cloudlume Acrylic Forms

RS, HPF
SSB/T8

Model No.	Number Of Lamps	Ballast Type	Nominal Width and Length
WPC1424	2-40W	RS, HPF	15" x 51¼"
WPC2224U	2-40WU*	RS, HPF	27" x 27¼"
WPC2424	2-40W	RS, HPF	27" x 51¼"
WPC2444	2-40W	RS, HPF	27" x 51¼"
WPC14232	2-32W	SSB/T8	15" x 51¼"
WPC22232U	2-32WU*	SSB/T8	27" x 27¼"
WPC24232	2-32W	SSB/T8	27" x 51¼"
WPC24432	4-32W	SSB/T8	27" x 51¼"

Black housing available on special order. To order use above catalog number but eliminate the "W." For example, a WPC24432 with a black housing is a PC24432.

*Sockets set for 6" leg spacing.

Aluminum housing available on special order.

Options: W—277 volt
 B1—Emergency battery pack

SPECIFICATIONS

HOUSING: Body is die-formed of code gauge steel construction and designed for maximum strength and uniformity. Standard in stock modules are 1'x4', 2'x2', 2'x4'.

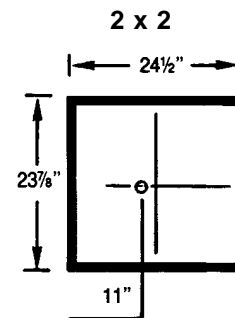
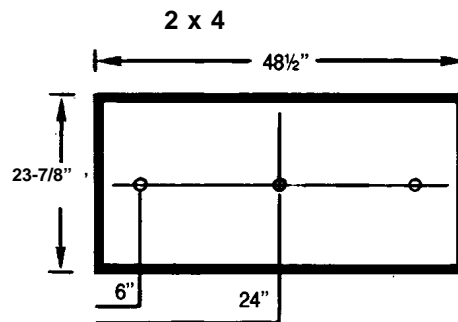
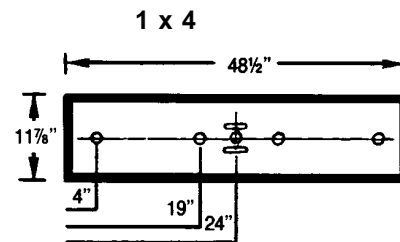
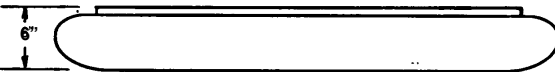
SHIELDING: Lenses are formed white acrylic.

FINISH: All metal parts are cleansed by a multi-stage process and treated with an iron phosphate coating to improve paint adhesion and rust resistance, then electrostatically sprayed with white enamel and baked at 320°F. Minimum of 88% reflectivity.

ELECTRICAL: All units wired with ballasts incorporating Class P thermal protection, for 120 volt, 60 cycle AC. Other voltages available. Ballasts mounted in direct contact with housing for maximum heat dissipation. Sockets completely wired.

INSTALLATION: Units may be surface or pendant mounted individually.

LABELS: U/L and I.B.E.W.



Specifications subject to change without notice.



Duray Fluorescent Manufacturing Company, Inc.

2050 West Balmoral Avenue Chicago, Illinois 60625 Phone 773.271.2800 Fax 773.271.4410 www.durayinc.com