

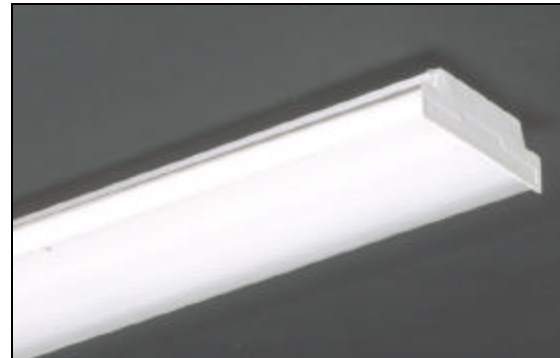
Surface

Econo-Ray Wraparound

**T8/SSB,
RS,HPF; TS,LPF; TS,HPF**

Model Number	Number of Lamps	Ballast Type	Nominal Length in Feet	Nominal Width in inches
NNH217	2-17W	SSB/T8	2	9-3/16
NN220	2-20W	TS,LPF	2	9-3/16
NNH220	2-20W	TS,HPF	2	9-3/16
NN232	2-32W	SSB/T8	4	9-3/16
NN240	2-40W	RS,HPF,ESB	4	9-3/16

Options: W-277
Other lamp and ballast options available. Please consult factory.



SPECIFICATIONS

HOUSING: Entire construction rigidly die formed of code gauge steel with deep rib-reinforcing formations assuring accurate alignment and sturdy installation

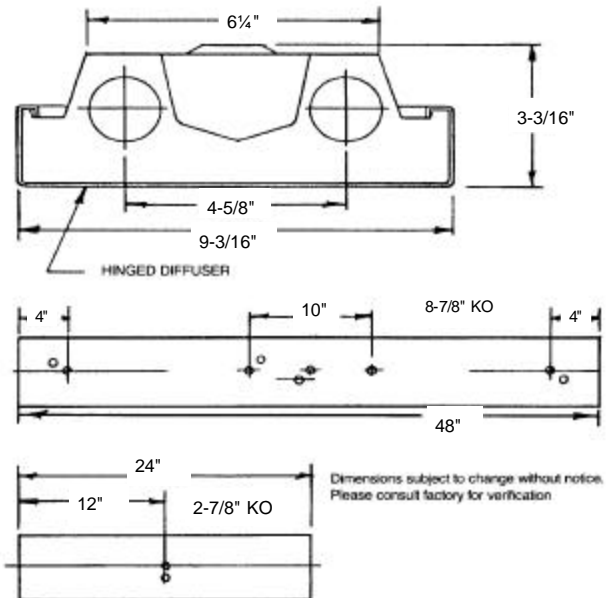
SHIELDING: Single piece light stabilized prismatic lens in virgin acrylic. 5/32" convex hexagon prisms on bottom optically engineered for controlled low brightness. Linear striations on sides designed to refract light upward while adding to overall attractiveness and streamlined appearance. Hinged along its entire length on both sides for maximum flexibility. Destaticized to inhibit dirt accumulation.

FINISH: All metal parts are cleansed by a multi-stage process and treated with an iron phosphate coating after fabrication to improve paint adhesion and rust resistance, then electrostatically sprayed with white enamel and baked at 320°F. Minimum of 88% reflectivity.

ELECTRICAL: All units wired with ballasts incorporating Class P thermal protection, for 120 volt, 60 cycle AC. Ballasts mounted in direct contact with housing for maximum heat dissipation. Sockets completely wired.

INSTALLATION: Units may be surface or pendant mounted, individually or in continuous rows.

LABELS: U/L listed combined with I.B.E.W.



Specifications subject to change without notice.



Duray Fluorescent Manufacturing Company, Inc.

2050 West Balmoral Avenue Chicago, Illinois 60625 Phone 773.271.2800 Fax 773.271.4410 www.durayinc.com

9/03