

## Weather-All Series

Damp Location

**RS,HPF,  
Slimline  
T8/SSB**

Model Number	Number of Lamps	Ballast Type	Min Temp.	Nominal Length
OL1120TS	1-20W	TS, HPF	50°	2'
OL1140RSCW	1-40W	RS, HPF	0°	4'
OL1148CW	1-38W	Slimline 430 MA	0°	4'
OL1117CW	1-17W	T8/SSB	0°	2'
OL1125CW	1-25W	T8/SSB	0°	3'
OL1132CW	1-32W	T8/SSB	0°	4'
OL1172CW	1-54W	Slimline 430 MA	0°	6'
OL1172TCW	2-54W *	Slimline 430 MA	0°	12'
OL1196CW	1-75W	Slimline 430 MA	0°	8'
OL1196TCW	2-75W **	Slimline 430 MA	0°	16'
OL1148-8	1-60W	HO 800 MA	-20°	4'
OL1148-8T	2-60W†	HO 800 MA	-20°	8'
OL1172-8	1-85W	HO 800 MA	-20°	6'
OL1172-8T	2-85W*	HO 800 MA	-20°	12'
OL1196-8	1-105W	HO 800 MA	-20°	8'
OL1196-8T	2-105W**	HO 800 MA	-20°	16'
OL1148-15	1-110W	Power Groove, VHO & SHO 1500 MA	-20°	4'
OL1172-15	1-160W		-20°	6'
OL1172-15T	2-160W *		-20°	12'
OL1196-15	1-215W		-20°	8'
OL1196-15T	2-215W **		-20°	16'

\*Tandem in 2-6' sections \*\*Tandem in 2-8' sections †Tandem in 1-8' section

**Options:** W - 277 volt; **OLJB**—joiner band for continuous row.  
**WA**(suffix): white acrylic diffuser

### SPECIFICATIONS

**HOUSING:** Unit housing die formed of high grade code gauge aluminum for maximum rigidity and uniformity. Gasketed end plates provide weather and moisture resistant seal.

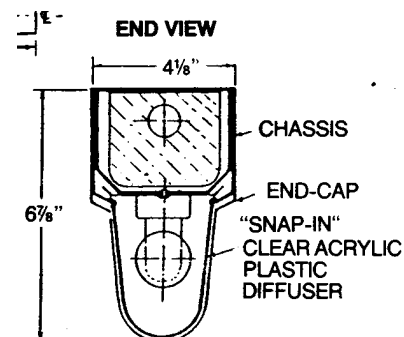
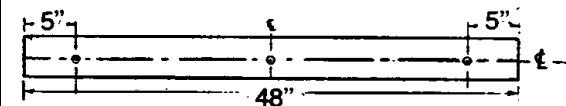
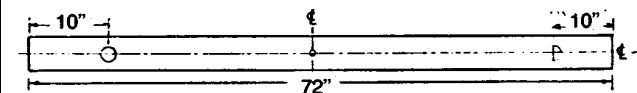
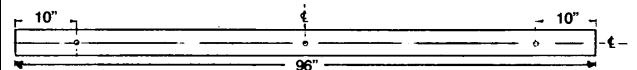
**SHIELDING:** Clear extruded acrylic snap-out plastic diffuser provides weatherproof shielding. Snaps out for ease in re-lamping.

**FINISH:** All metal surfaces double baked white enamel over aluminum with 88% minimum reflectance. WILL NOT RUST.

**ELECTRICAL:** All units wired with ballasts incorporating Class P thermal protection, for 120 volt, 60 cycle AC. Other voltages available.

**INSTALLATION:** Outdoors, units may be stem mounted or flush, individually or in continuous rows. Gasketed joiner band available for continuous row runs. Indoor installations require 2½" spacers. For continuous row installations, specify number of fixtures per row.

**LABELS:** Damp location combined with U/L and I.B.E.W.



### PROPRIETARY NOTE

Except for uses expressly granted in writing information disclosed hereon is confidential and all rights, patent or otherwise, are reserved by Duray Fluorescent Mfg. Co. Specifications subject to change without notice



Duray Fluorescent Manufacturing Company, Inc.

2050 West Balmoral Avenue Chicago, Illinois 60625 Phone 773.271.2800 Fax 773.271.4410 www.durayinc.com